

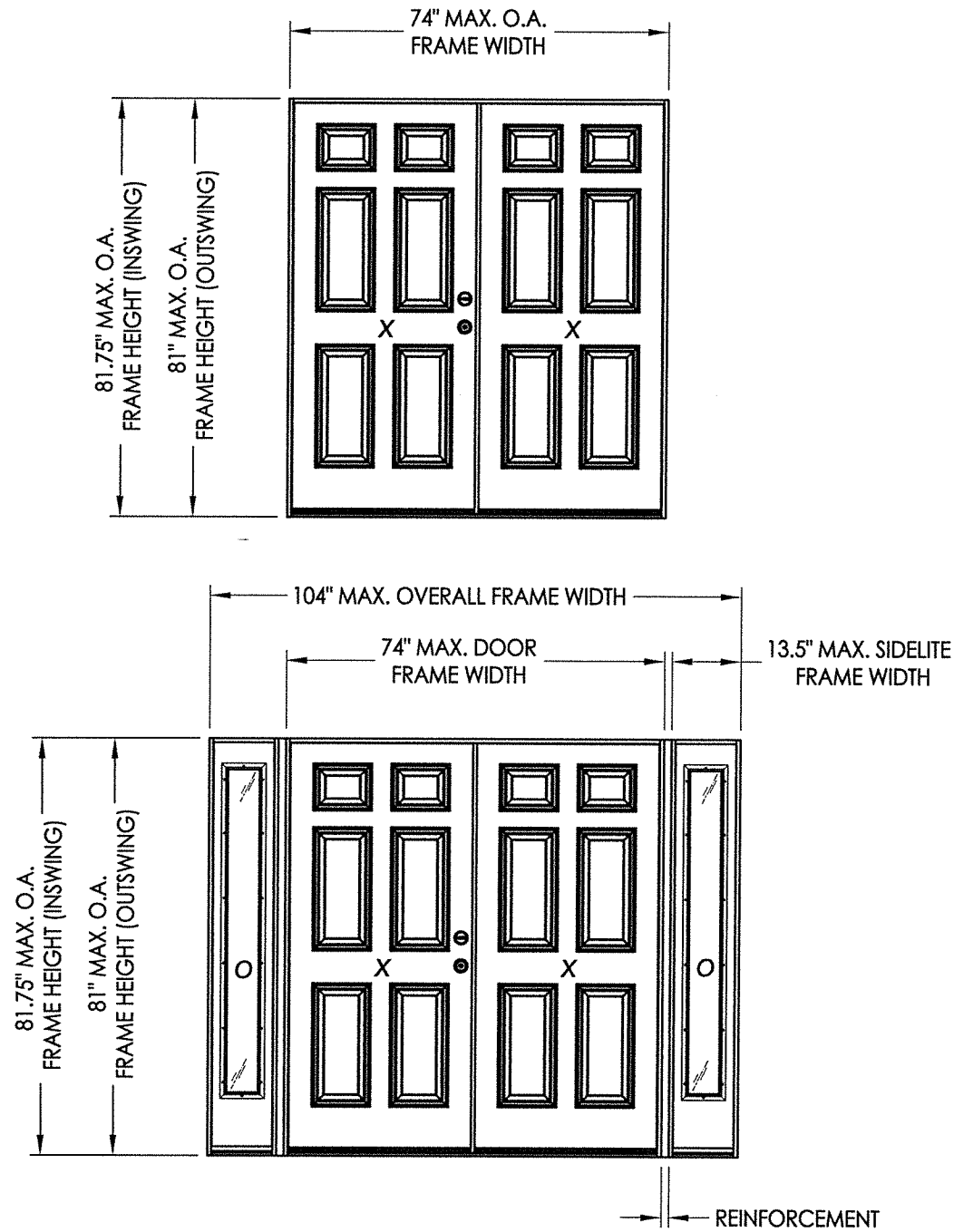


SURE ROCK OPAQUE FIBERGLASS ENTRY DOORS INSWING / OUTSWING "NON-IMPACT"

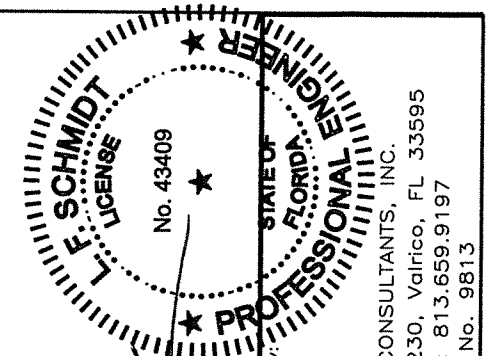
GENERAL NOTES

1. This product has been evaluated and is in compliance with the 6th Edition (2017) Florida Building Code (FBC) structural requirements excluding the "High Velocity Hurricane Zone" (HVHZ).
2. Product anchors shall be as listed and spaced as shown on details. Anchor embedment to base material shall be beyond wall dressing or stucco.
3. When used in areas requiring wind borne debris protection, this product is required to be protected with an impact resistant covering that complies with FBC Sections 1609.1.2 & R301.2.1.2.
4. For 2x stud framing construction, anchoring of these units shall be the same as that shown for 2x buck masonry construction.
5. Site conditions that deviate from the details of this drawing require further engineering analysis by a licensed engineer or registered architect.

TABLE OF CONTENTS	
SHEET #	DESCRIPTION
1	Typical Elevations, Design Pressures & General Notes
2	Door Panel Details
3	Sidelite Panel Details
4	Elevations
5	Vertical & Horizontal Cross Sections (2X Buck)
6	Vertical & Horizontal Cross Sections (1X Buck)
7	Vertical & Horizontal Cross Sections (Direct to Masonry)
8	Vertical Cross Sections (Thresholds)
9	Buck Anchoring
10	Frame Anchoring & Hardware Details
11	Bill of Materials & Components



CONFIGURATION	MAX. FRAME DIMENSION	REINFORCEMENT	DESIGN PRESSURE (PSF) INSWING		DESIGN PRESSURE (PSF) OUTSWING	
			POSITIVE	NEGATIVE	POSITIVE	NEGATIVE
XX	74.0" x 81.75"	N/A	+60.0	-60.0	+60.0	-60.0
OXXO	101.0" x 81.75"	NONE	+40.0	-40.0	+40.0	-40.0
OXXO	102.5" x 81.75"	1X	+55.0	-55.0	+55.0	-55.0
OXXO	104.0" x 81.75"	2X	+60.0	-60.0	+60.0	-60.0



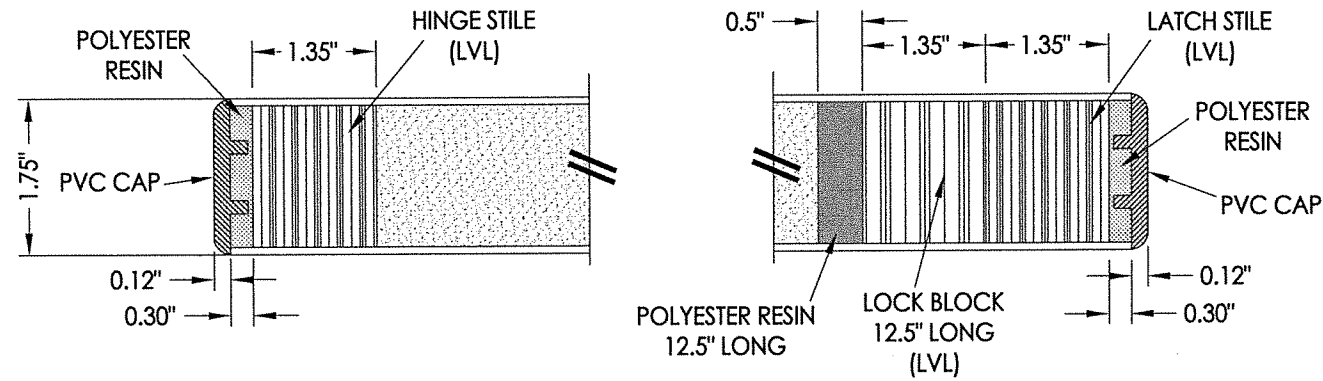
Documents Prepared By:
Lyndon F. Schmidt
P.E. No. 43409

R.W. BUILDING CONSULTANTS, INC.
P.O. Box 230, Valrico, FL 33595
Phone No.: 813.659.9197
FBPE C.A. No. 9813

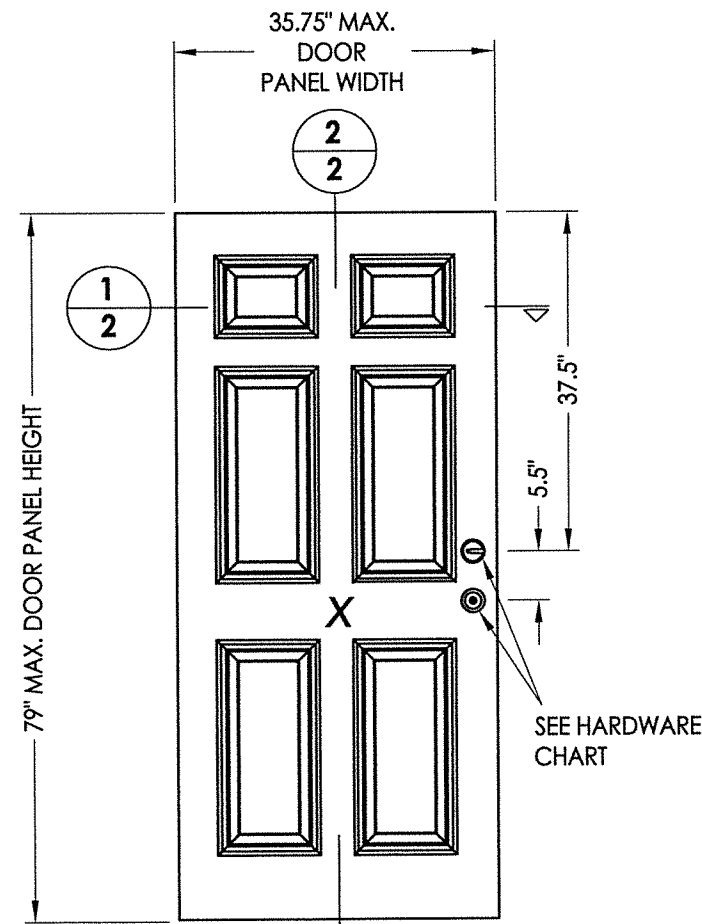
PRODUCT: SURE ROCK FIBERGLASS DOORS
PART OR ASSEMBLY: TYPICAL ELEVATION, DESIGN PRESSURES & GENERAL NOTES

NO.	DATE	REVISIONS
1	8/03/17	UPDATE TO 6TH ED. (2017) FBC

DATE: 5/17/16
SCALE: N.T.S.
DWG. BY: JK
CHK. BY: LFS
DRAWING NO.: FL-20474.3
SHEET 1 OF 11

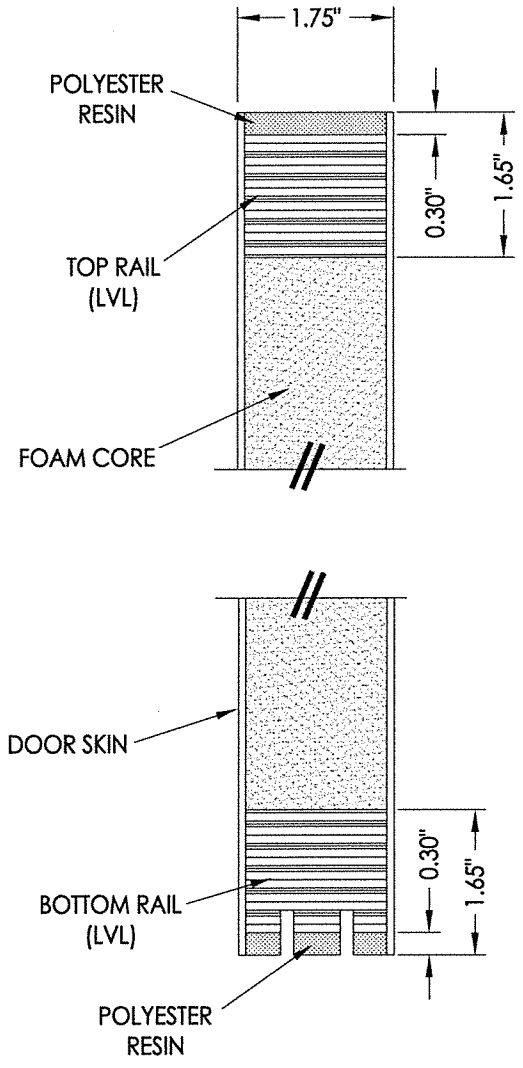


1
2 HORIZONTAL CROSS SECTION



40 DOOR PANEL

HARDWARE TABLE	
MANUFACTURER	MODEL
KWIKSET	KNOB: Signature Series
	DEADBOLT: Signature Series (980)
SCHLAGE	KNOB: F Series (F51)
	DEADBOLT: B Series (B60N)



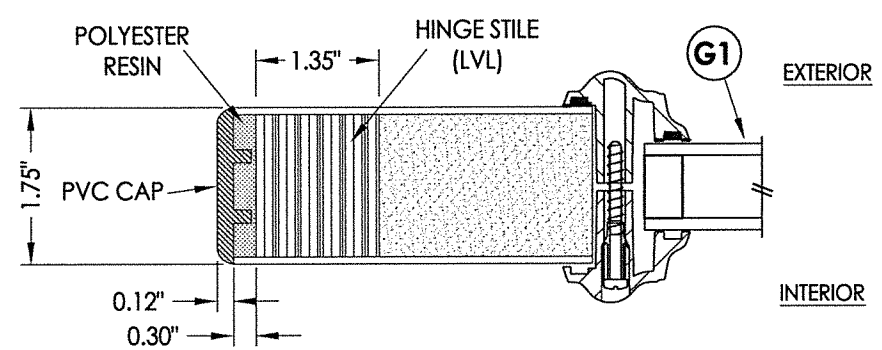
2
2 VERTICAL CROSS SECTION

FIBERGLASS DOOR SKIN: MIN. 0.080" THK.
CORE MATERIAL: POLYURETHANE FOAM (1.9 PCF MIN.)

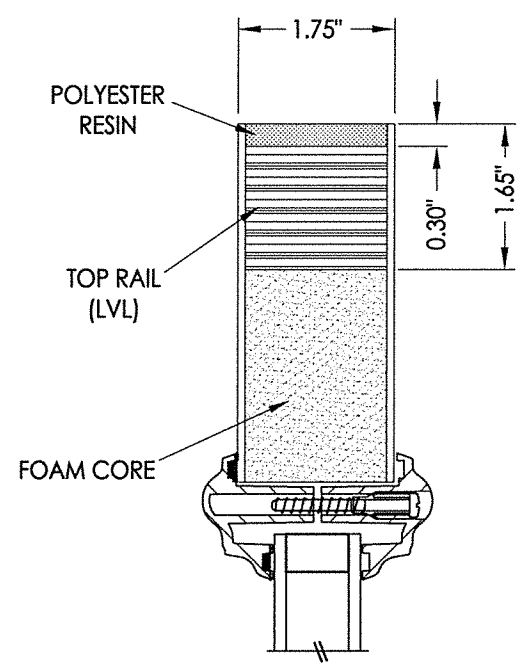
Documents Prepared By: *R.W.*
 Lyndon F. Schmidt
 P.E. No. 43409

BUILDING CONSULTANTS, INC.
 P.O. Box 230, Valrico, FL 33595
 Phone No.: 813.659.9197
 FBPE C.A. No. 9813

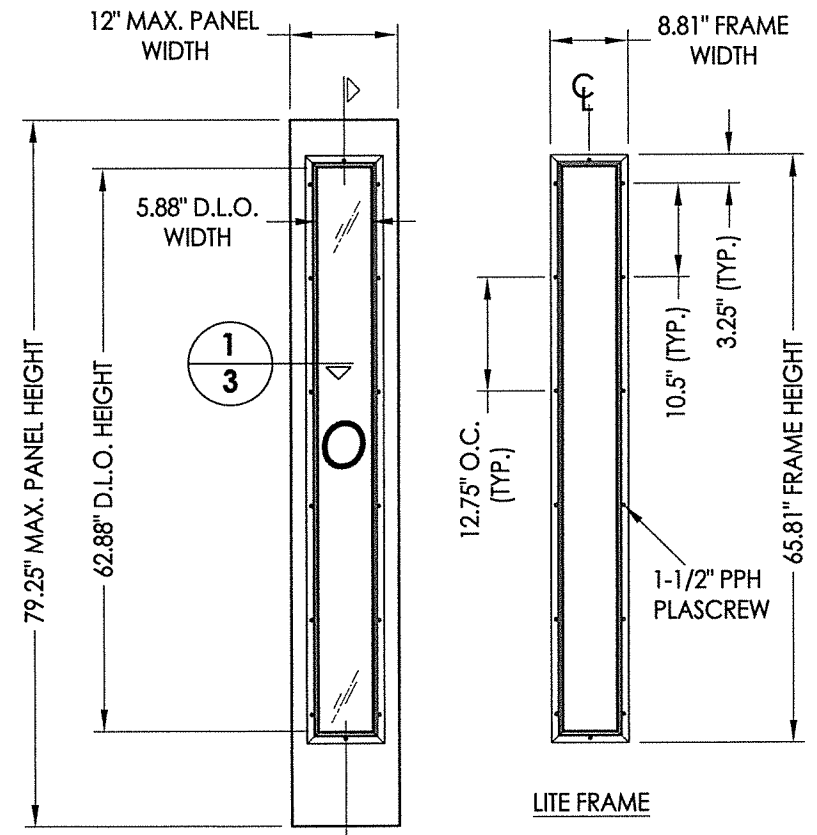
PRODUCT:	SURE ROCK FIBERGLASS DOORS
PART OR ASSEMBLY:	DOOR PANEL DETAILS
DATE:	5/17/16
SCALE:	N.T.S.
DWG. BY:	JK
CHK. BY:	LFS
DRAWING NO.:	FL-20474.3
SHEET	2 OF 11



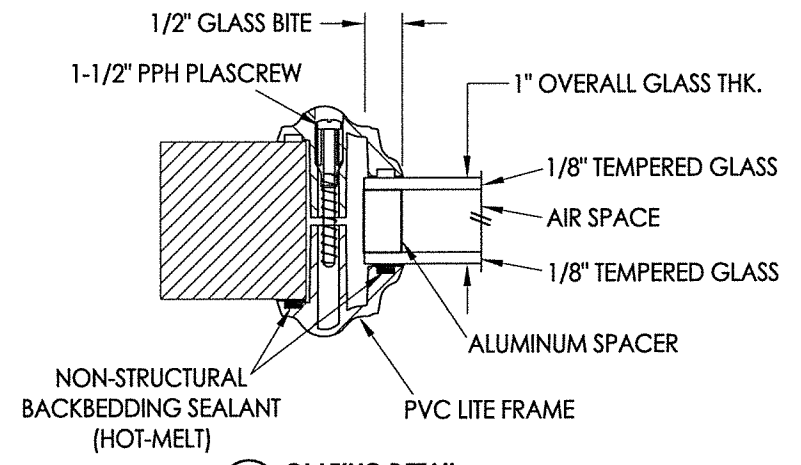
1
3 HORIZONTAL CROSS SECTION



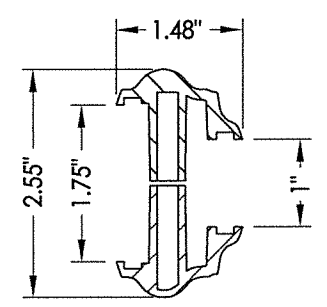
2
3 VERTICAL CROSS SECTION



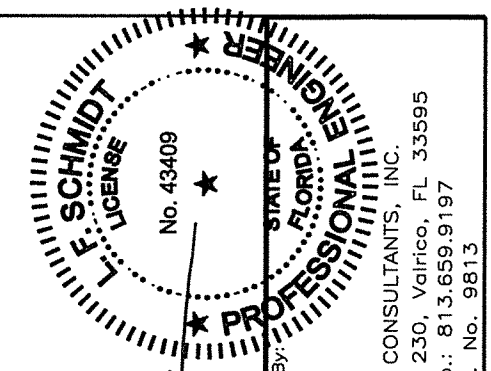
40 SIDELITE PANEL



G1 GLAZING DETAIL



PVC LITE FRAME
HM SURE ROCK



Documents Prepared By:
Lyndon F. Schmidt
P.E. No. 43409

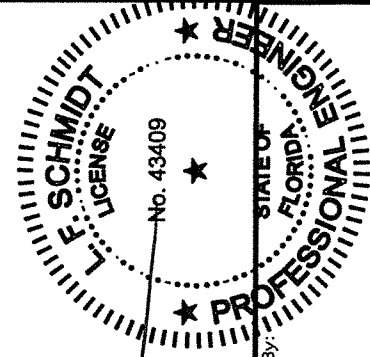
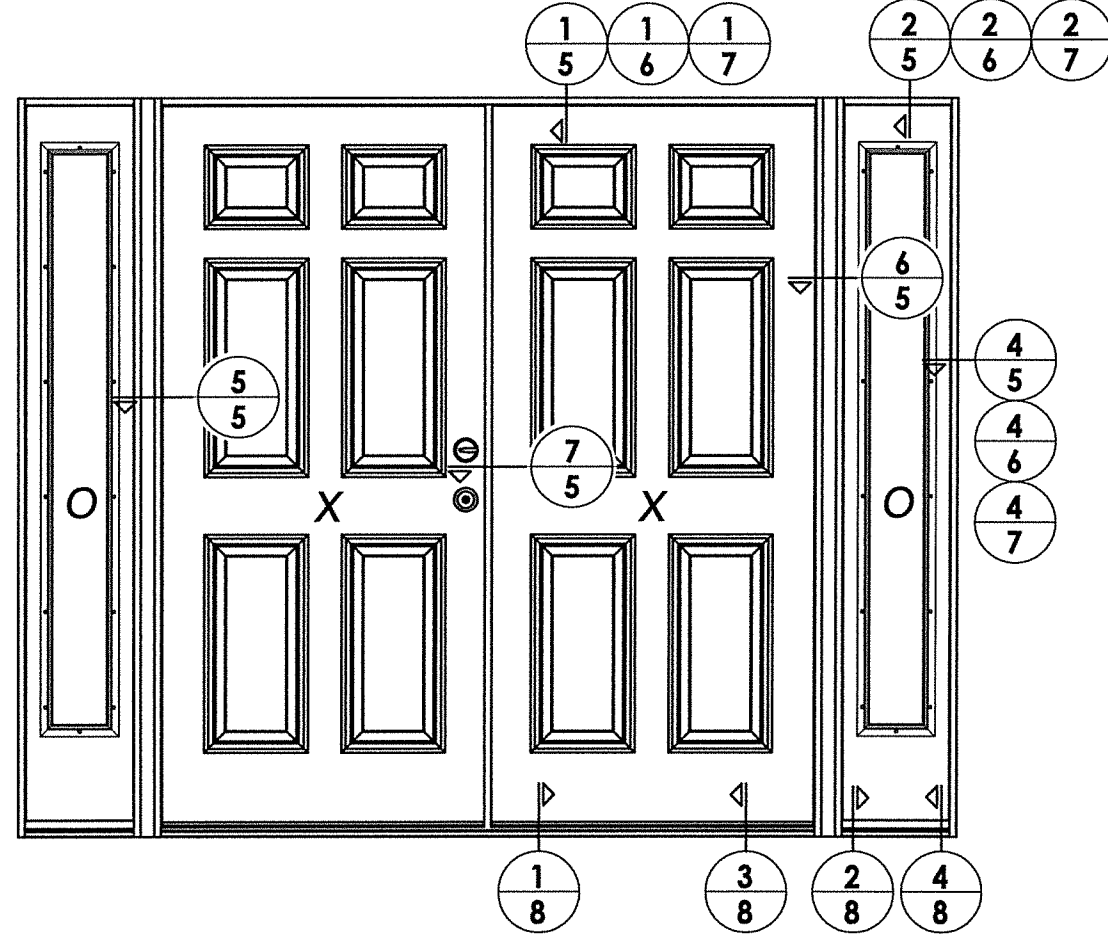
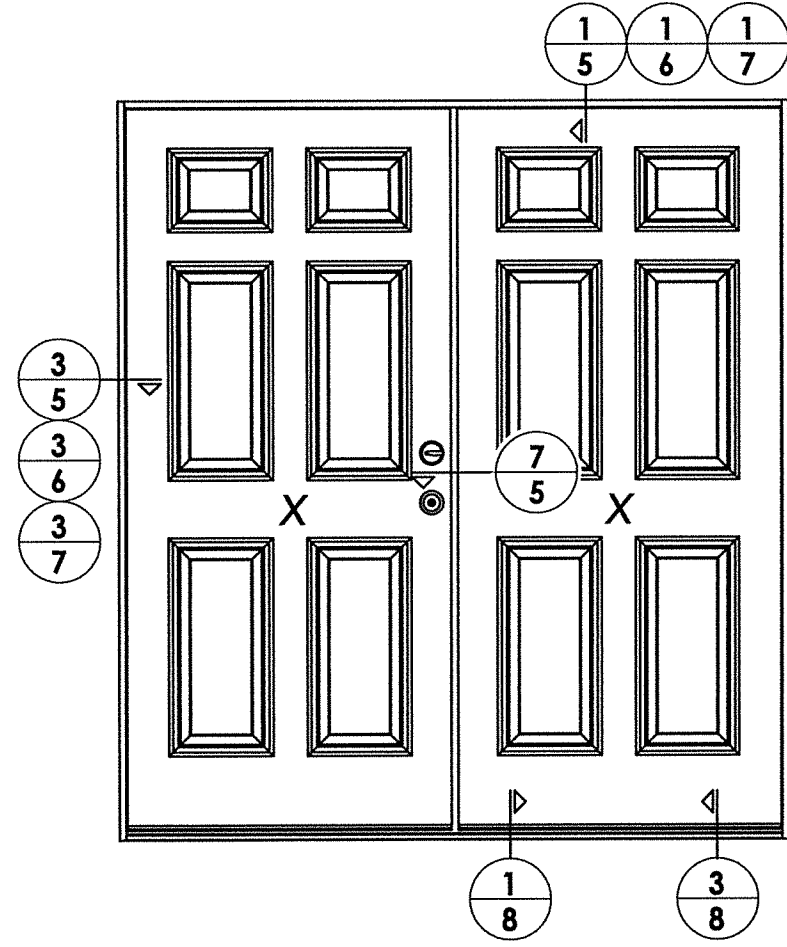
R.W. BUILDING CONSULTANTS, INC.
P.O. Box 230, Valrico, FL 33595
Phone No.: 813.659.9197
FBPE C.A. No. 9813

PRODUCT:	SURE ROCK FIBERGLASS DOORS
PART OR ASSEMBLY:	SIDELITE PANEL DETAILS

NO.	DATE	DESCRIPTION	BY
1	8/03/17	UPDATE TO 6TH ED. (2017) FBC	LFS

DATE:	5/17/16
SCALE:	N.T.S.
DWG. BY:	JK
CHK. BY:	LFS
DRAWING NO.:	FL-20474.3
SHEET	3 OF 11

FIBERGLASS SIDELITE SKIN: MIN. 0.070" THK.
CORE MATERIAL: POLYURETHANE FOAM (1.9 PCF MIN.)



LFS
8.3.17

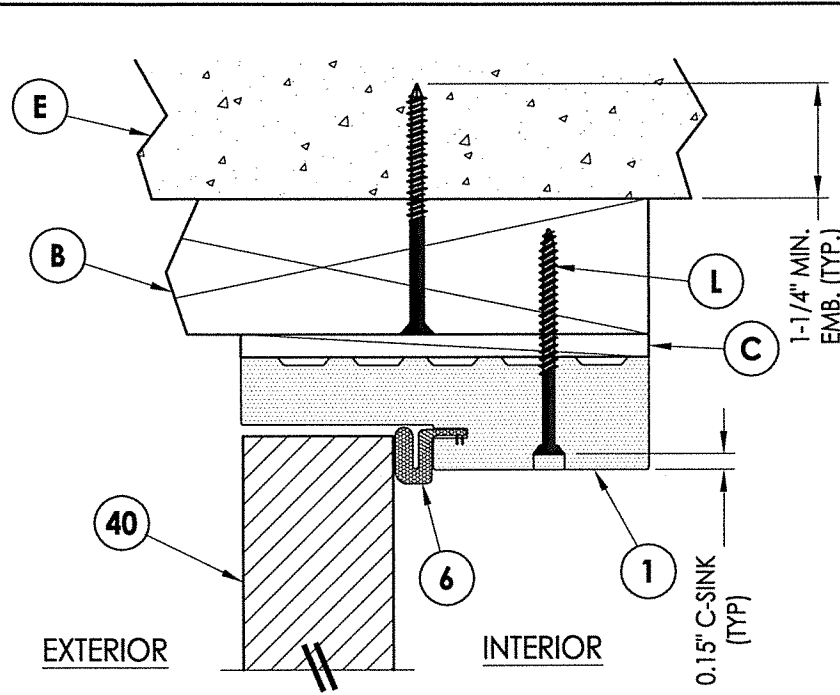
Documents Prepared By:
Lyndon F. Schmidt
P.E. No. 43409

RW BUILDING CONSULTANTS, INC.
P.O. Box 230, Valrico, FL 33595
Phone No.: 813.659.9197
FBPE C.A. No. 9813

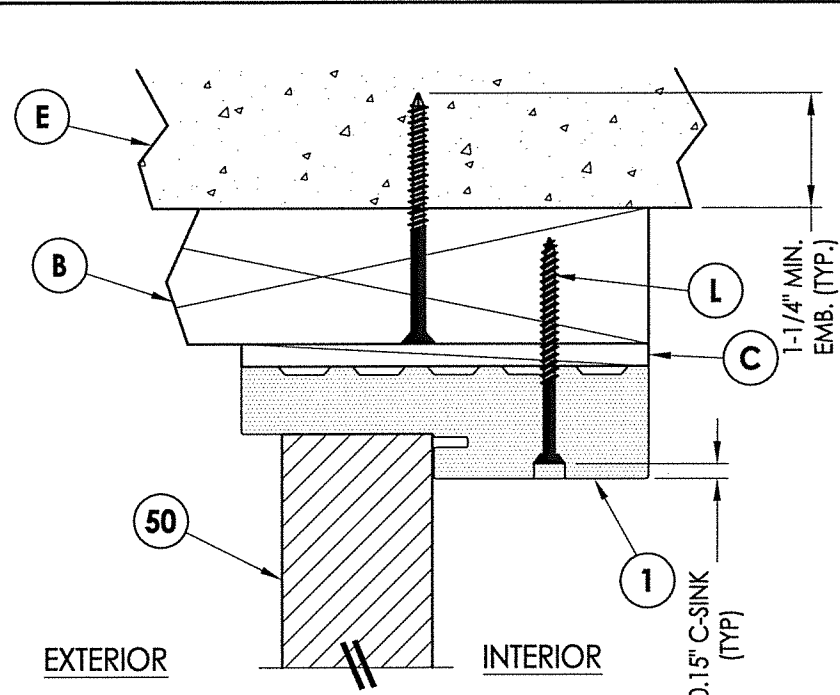
PRODUCT: SURE ROCK FIBERGLASS DOORS
PART OR ASSEMBLY: ELEVATIONS

NO.	DATE	DESCRIPTION	LFS	BY
1	8/03/17	UPDATE TO 6TH ED. (2017) FBC		

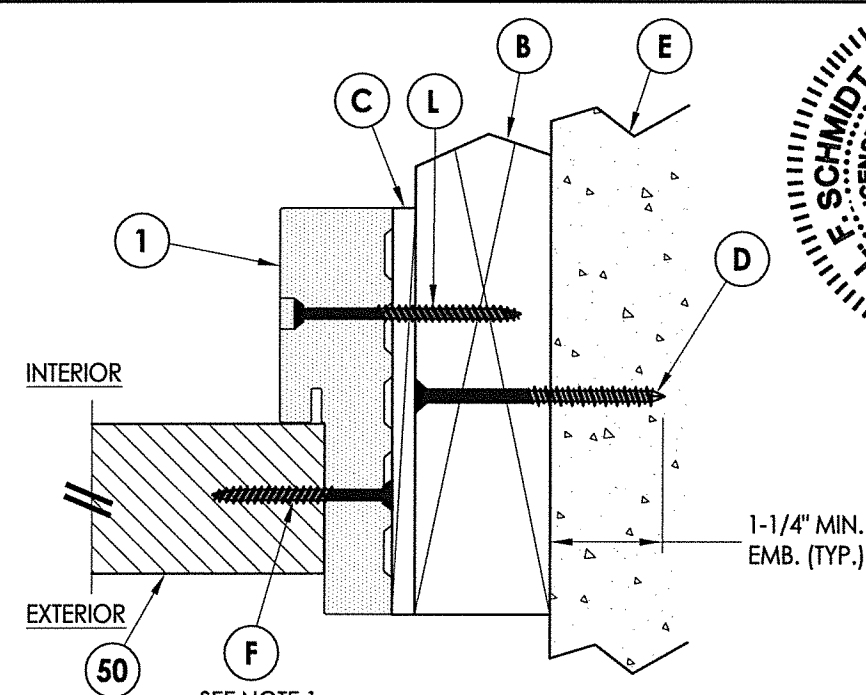
DATE: 5/17/16
SCALE: N.T.S.
DWG. BY: JK
CHK. BY: LFS
DRAWING NO.: FL-20474.3
SHEET 4 OF 11



1 VERTICAL CROSS SECTION
5 Outswing shown (Inswing similar)

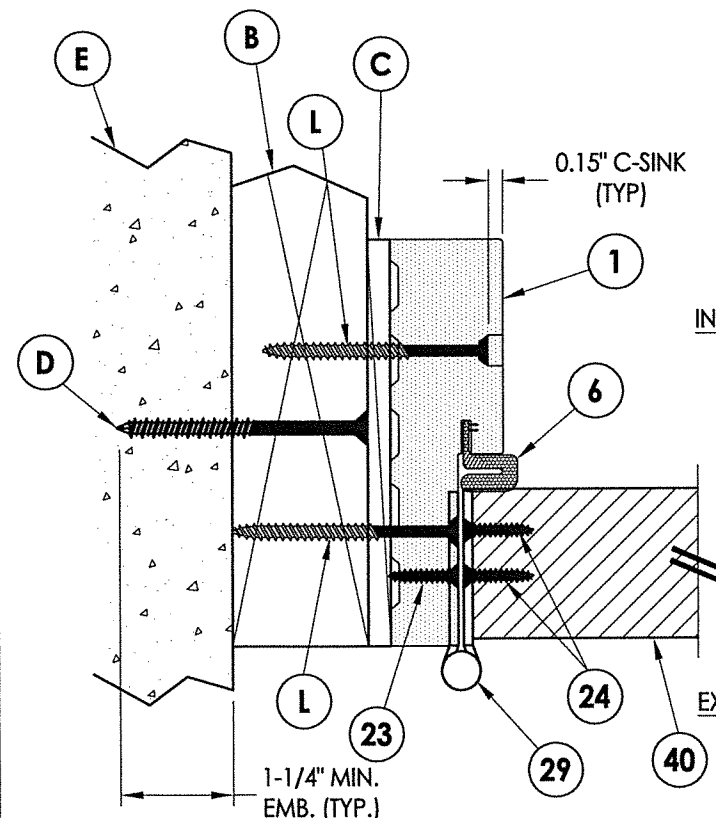


2 VERTICAL CROSS SECTION
5 Outswing shown (Inswing similar)

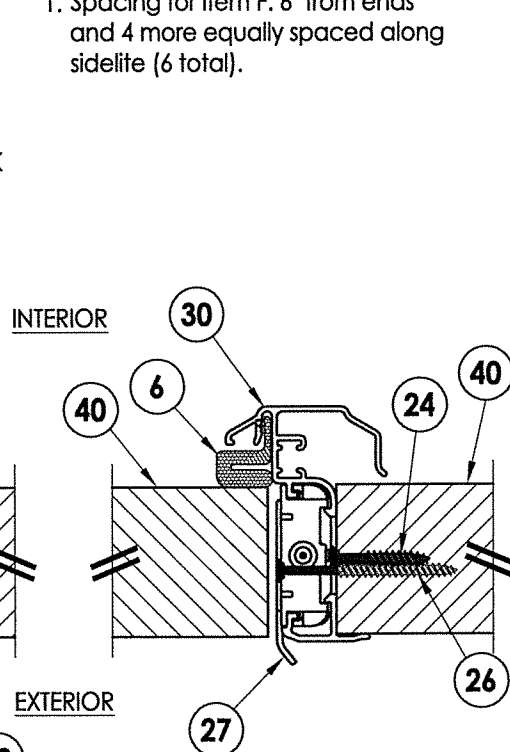


4 HORIZONTAL CROSS SECTION
5 Outswing shown (Inswing similar)

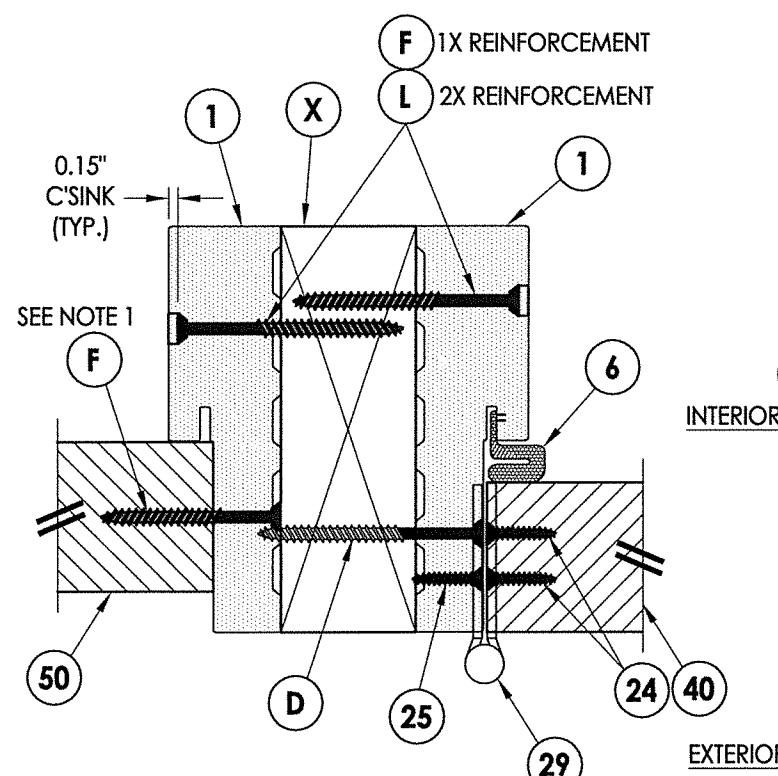
NOTE:
 1. Spacing for item F: 6" from ends and 4 more equally spaced along sidelite (6 total).



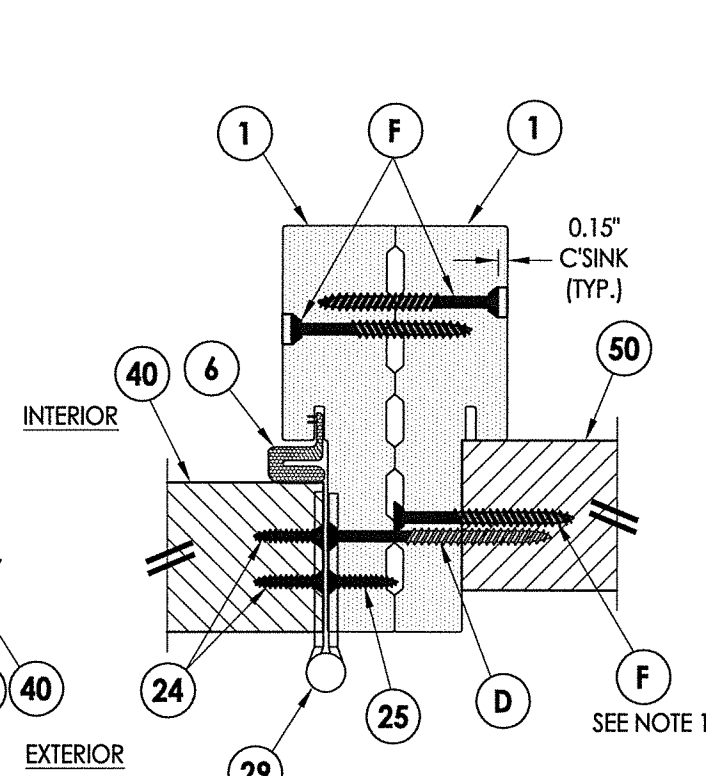
3 HORIZONTAL CROSS SECTION
5 Outswing shown (Inswing similar)



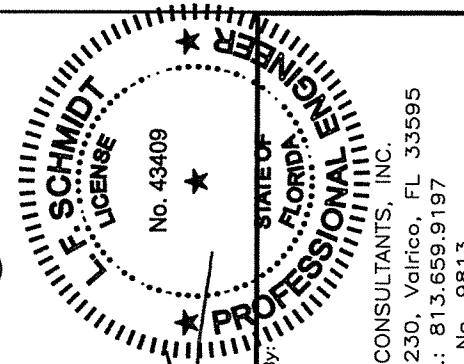
7 HORIZONTAL CROSS SECTION
5 Outswing shown (Inswing similar)



5 HORIZONTAL CROSS SECTION
5 Outswing shown (Inswing similar)
 Shown w/ 2X Reinforcement
 (1X Reinforcement Similar)



6 HORIZONTAL CROSS SECTION
5 Outswing shown (Inswing similar)
 Shown w/ No Reinforcement

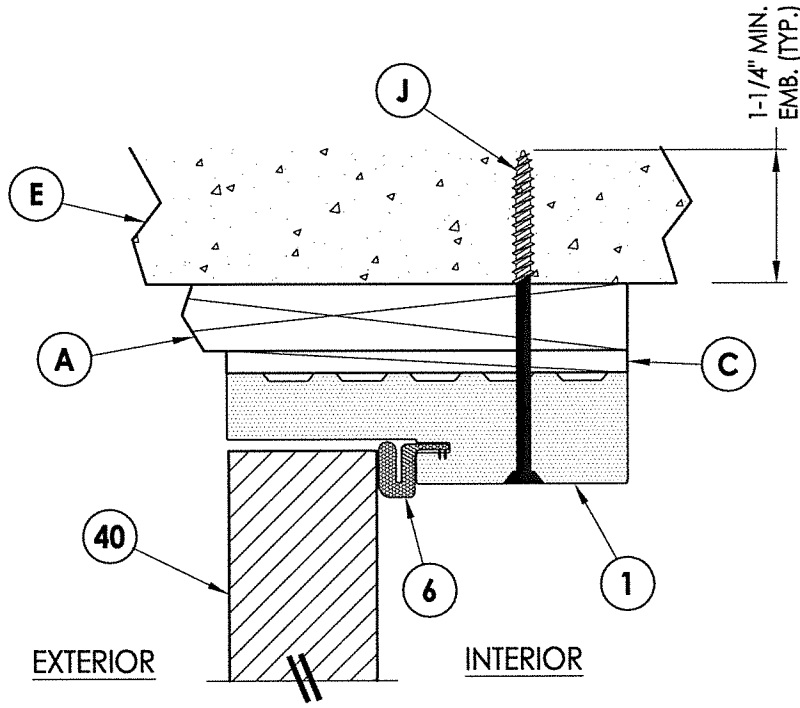


Documents Prepared By:
 Lyndon F. Schmidt
 P.E. No. 43409
 R.W. BUILDING CONSULTANTS, INC.
 P.O. Box 230, Vairico, FL 33595
 Phone No.: 813.659.9197
 FBPE C.A. No. 9813

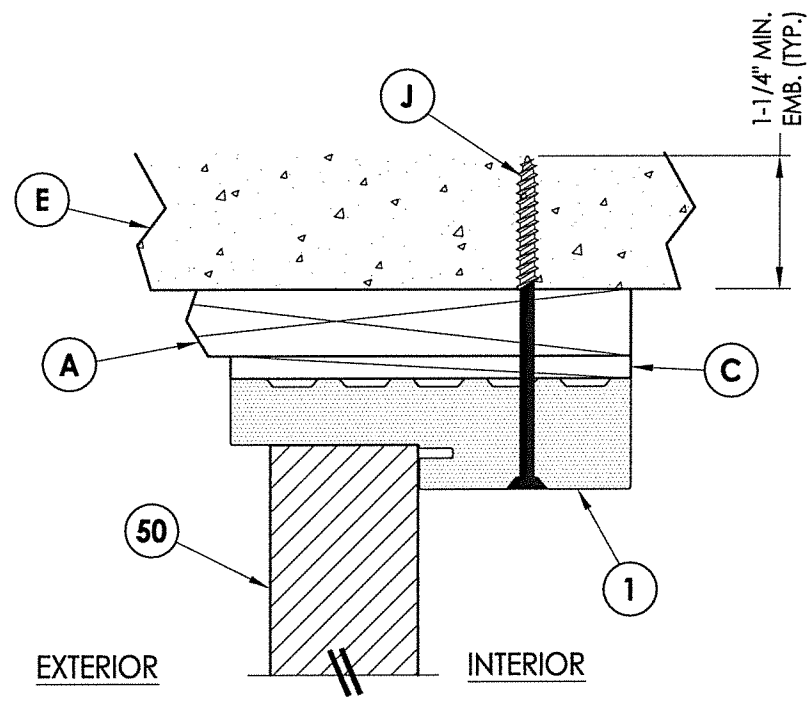
PRODUCT:
 SURE ROCK
 FIBERGLASS DOORS
 PART OR ASSEMBLY:
 HORIZONTAL & VERTICAL
 CROSS SECTIONS (2X BUCK)

NO.	DATE	BY	REVISIONS
1	8/03/17	LFS	UPDATE TO 6TH ED. (2017) FBC

DATE: 5/17/16
 SCALE: N.T.S.
 DWG. BY: JK
 CHK. BY: LFS
 DRAWING NO.: FL-20474.3
 SHEET 5 OF 11

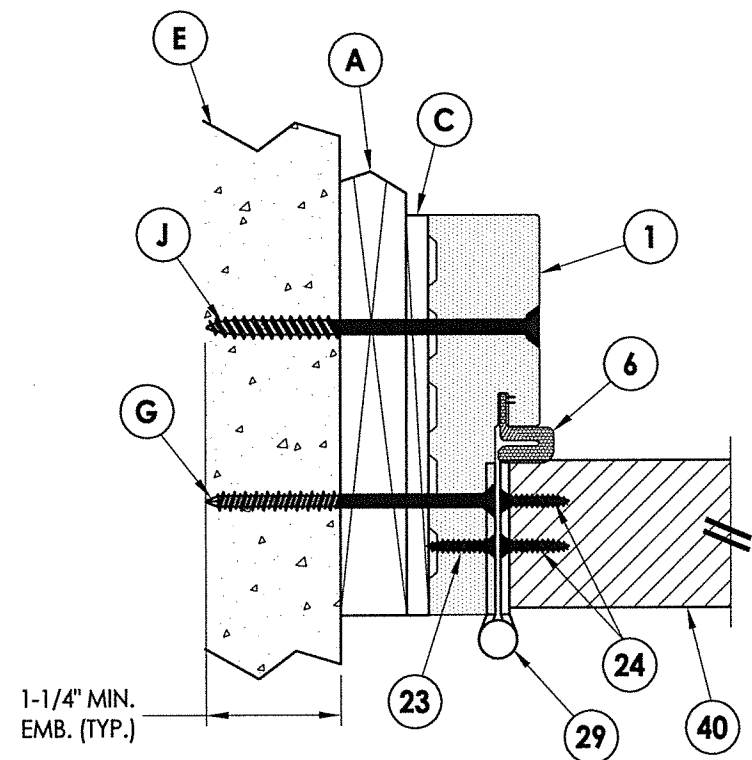


1 VERTICAL CROSS SECTION
6 Outswing shown (Inswing similar)

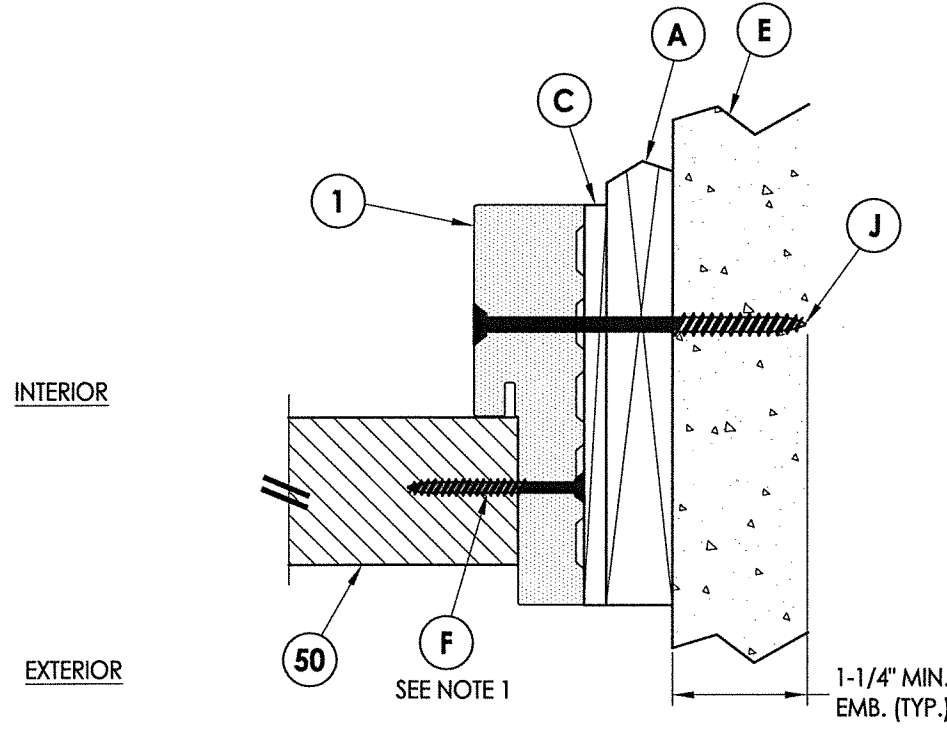


2 VERTICAL CROSS SECTION
6 Outswing shown (Inswing similar)

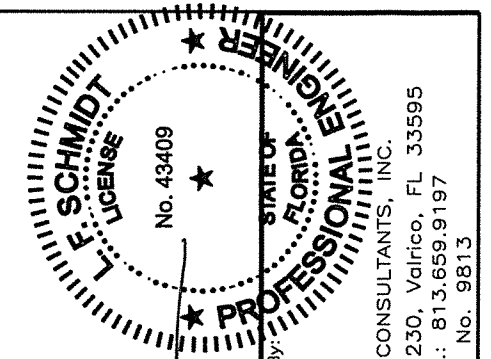
NOTE:
 1. Spacing for item F: 6" from ends and 4 more equally spaced along sidelite (6 total).



3 HORIZONTAL CROSS SECTION
6 Outswing shown (Inswing similar)



4 HORIZONTAL CROSS SECTION
6 Outswing shown (Inswing similar)

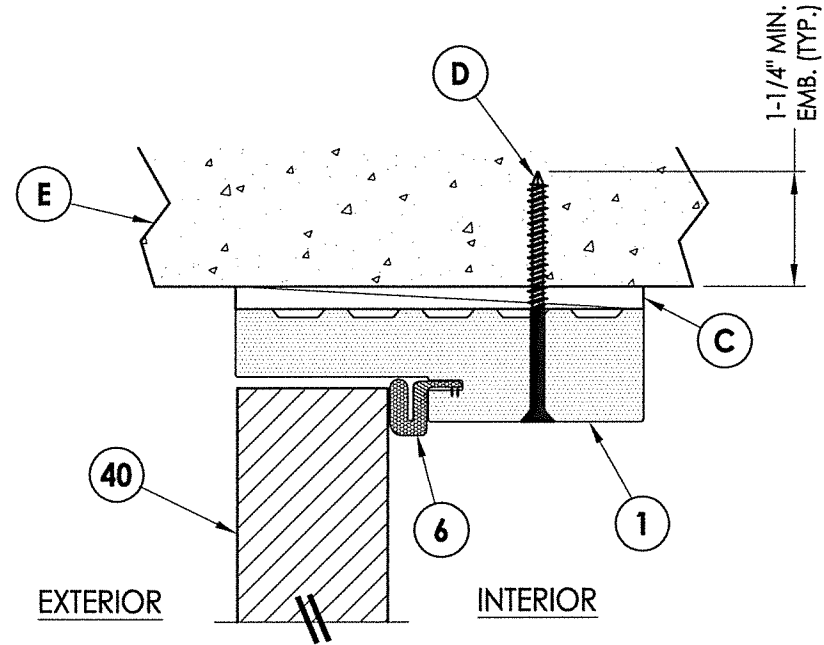


LFS
8.3.17

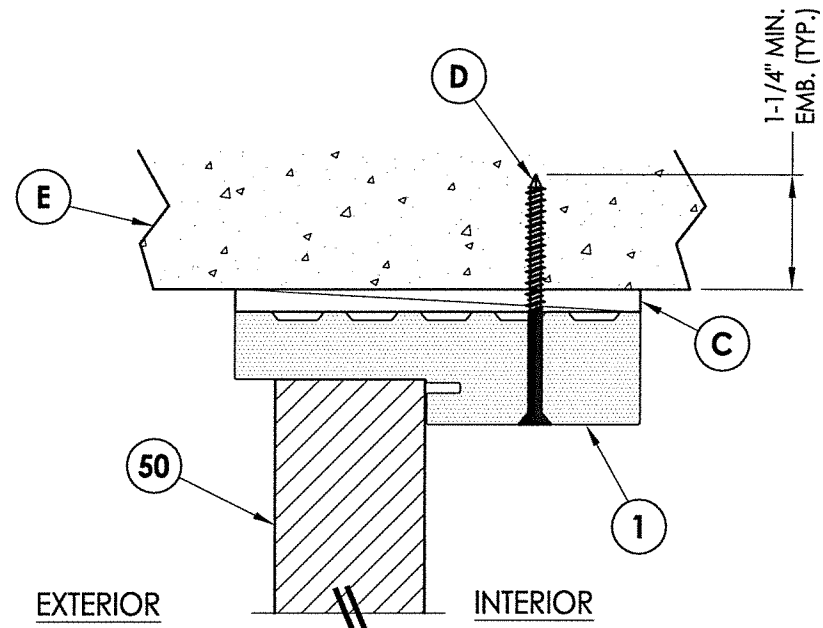
Documents Prepared By:
 Lyndon F. Schmidt
 P.E. No. 43409

RW
 BUILDING CONSULTANTS, INC.
 P.O. Box 230, Valrico, FL 33595
 Phone No.: 813.659.9197
 FBPE C.A. No. 9813

PRODUCT:	SURE ROCK FIBERGLASS DOORS
PART OR ASSEMBLY:	HORIZONTAL & VERTICAL CROSS SECTIONS (1X BUCK)
DATE:	5/17/16
SCALE:	N.T.S.
DWG. BY:	JK
CHK. BY:	LFS
DRAWING NO.:	FL-20474.3
SHEET	6 of 11
NO.	1
DATE	8/03/17
BY	LFS
REVISIONS	UPDATE TO 6TH ED. (2017) FBC

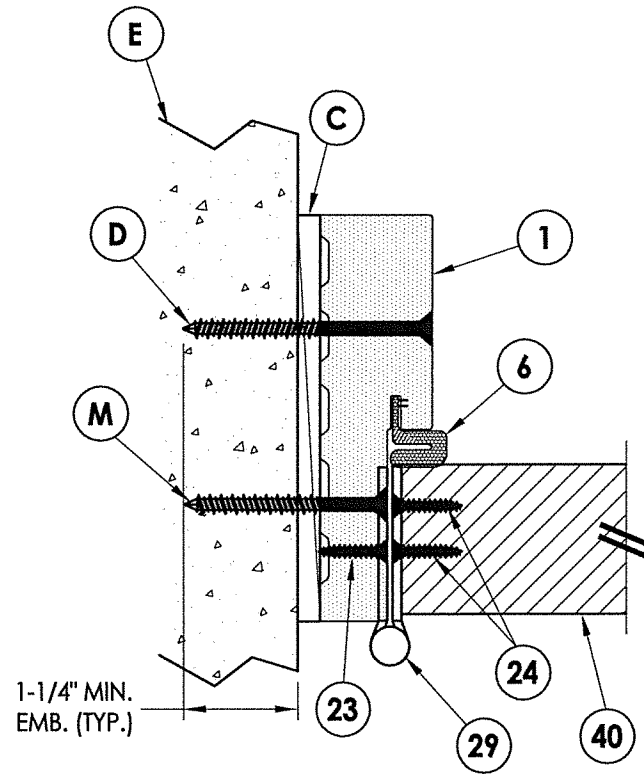


1
7 **VERTICAL CROSS SECTION**
Outswing shown (Inswing similar)



2
7 **VERTICAL CROSS SECTION**
Outswing shown (Inswing similar)

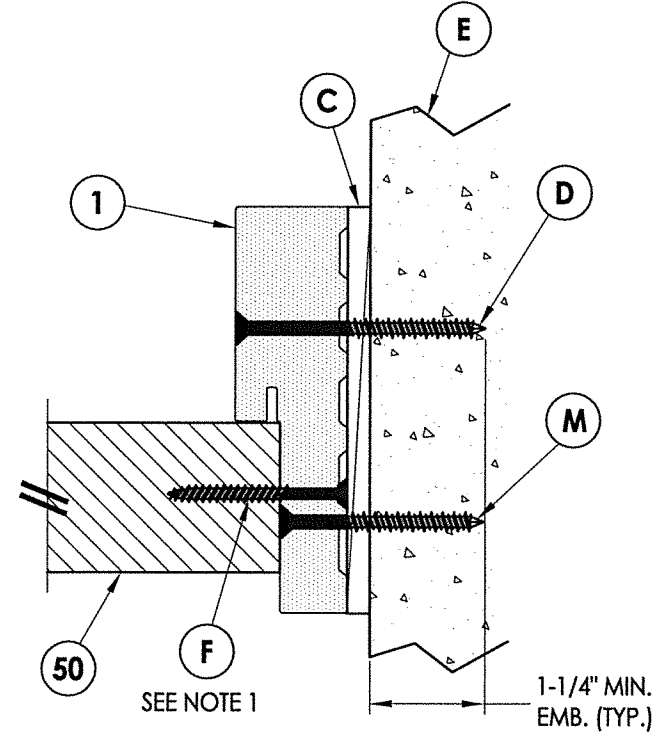
NOTE:
1. Spacing for item F: 6" from ends and 4 more equally spaced along sidelite (6 total).



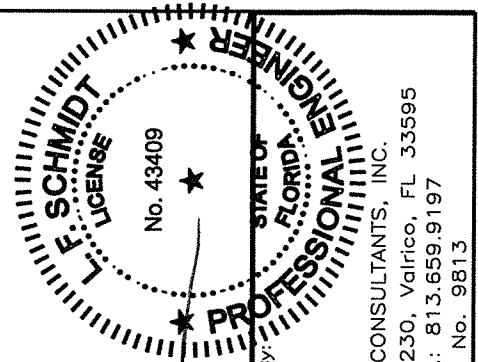
3
7 **HORIZONTAL CROSS SECTION**
Outswing shown (Inswing similar)

INTERIOR

EXTERIOR

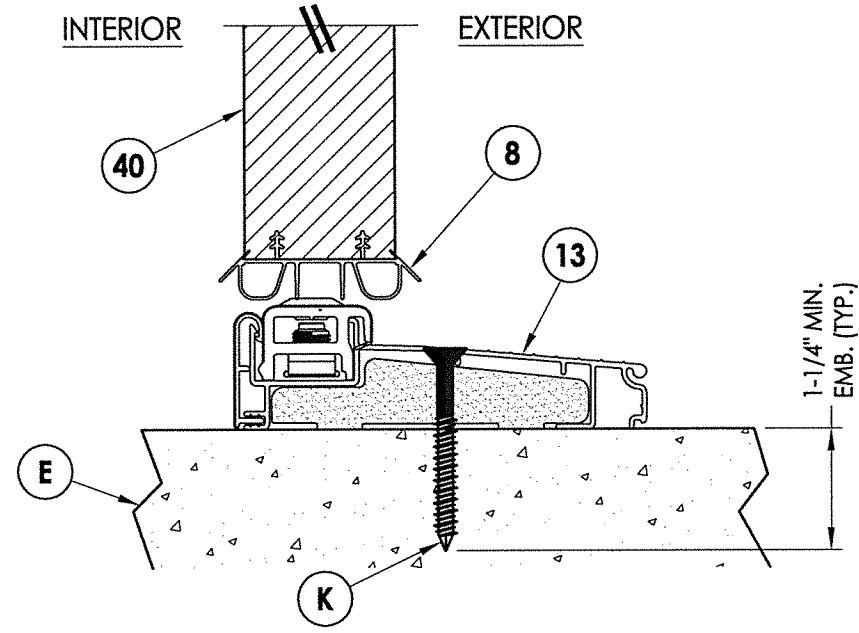


4
7 **HORIZONTAL CROSS SECTION**
Outswing shown (Inswing similar)

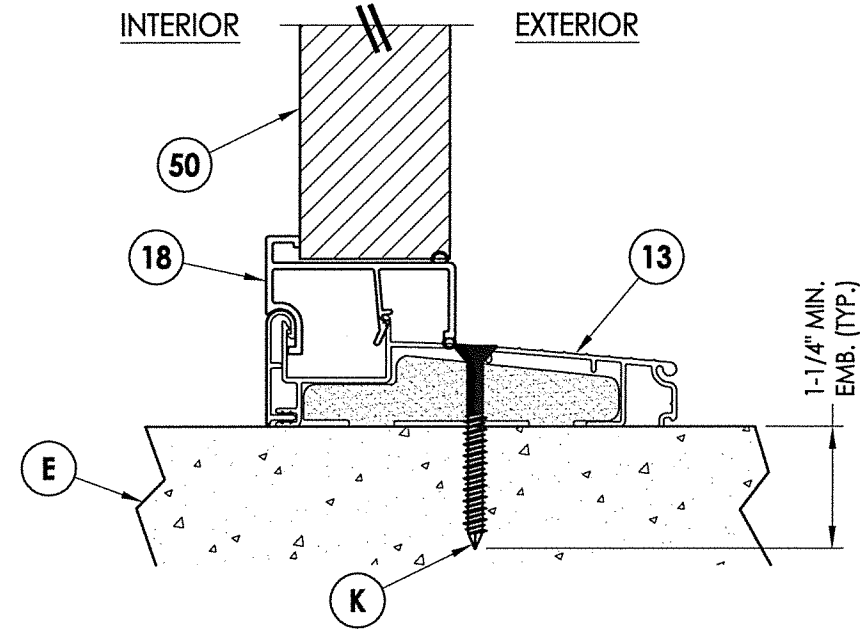


Documents Prepared By:
Lyndon F. Schmidt
P.E. No. 43409
8.3.17
R.W. BUILDING CONSULTANTS, INC.
P.O. Box 230, Vairico, FL 33595
Phone No.: 813.659.9197
FBPE C.A. No. 9813

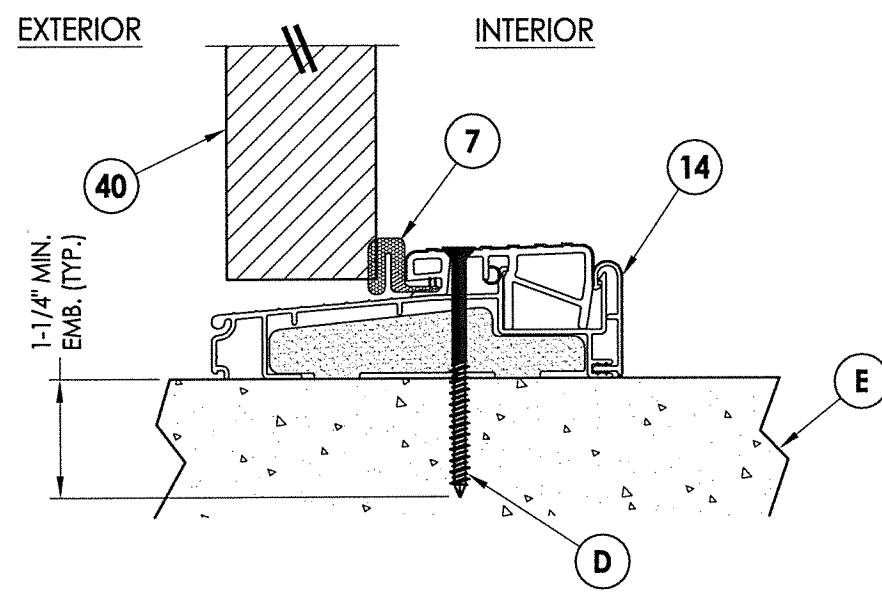
PRODUCT:		SURE ROCK FIBERGLASS DOORS	
PART OR ASSEMBLY:		HORIZONTAL & VERTICAL CROSS SECTIONS (DIRECT TO MASONRY)	
NO.	DATE	BY	REVISIONS
1	8/03/17	LFS	UPDATE TO 6TH ED. (2017)
DATE: 5/17/16		SCALE: N.T.S.	
DWG. BY: JK		CHK. BY: LFS	
DRAWING NO.: FL-20474.3		SHEET 7 OF 11	



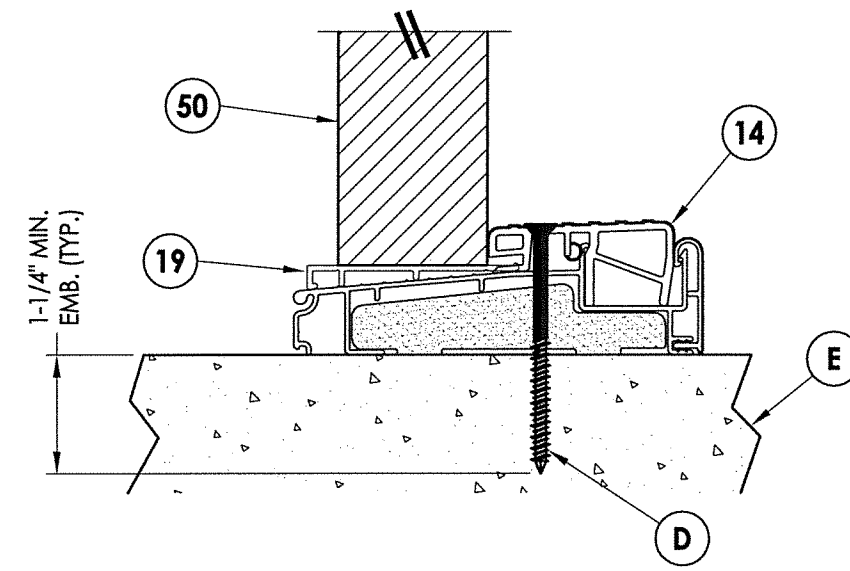
1 VERTICAL CROSS SECTION
8 Inswing Threshold



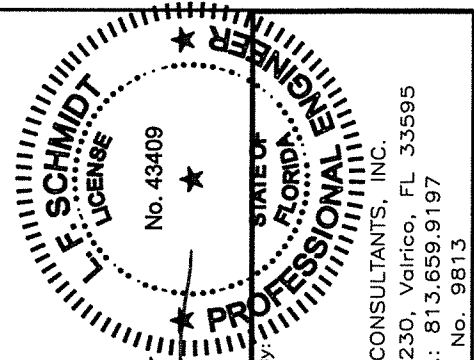
3 VERTICAL CROSS SECTION
8 Inswing Threshold



2 VERTICAL CROSS SECTION
8 Outswing Threshold



4 VERTICAL CROSS SECTION
8 Outswing Threshold



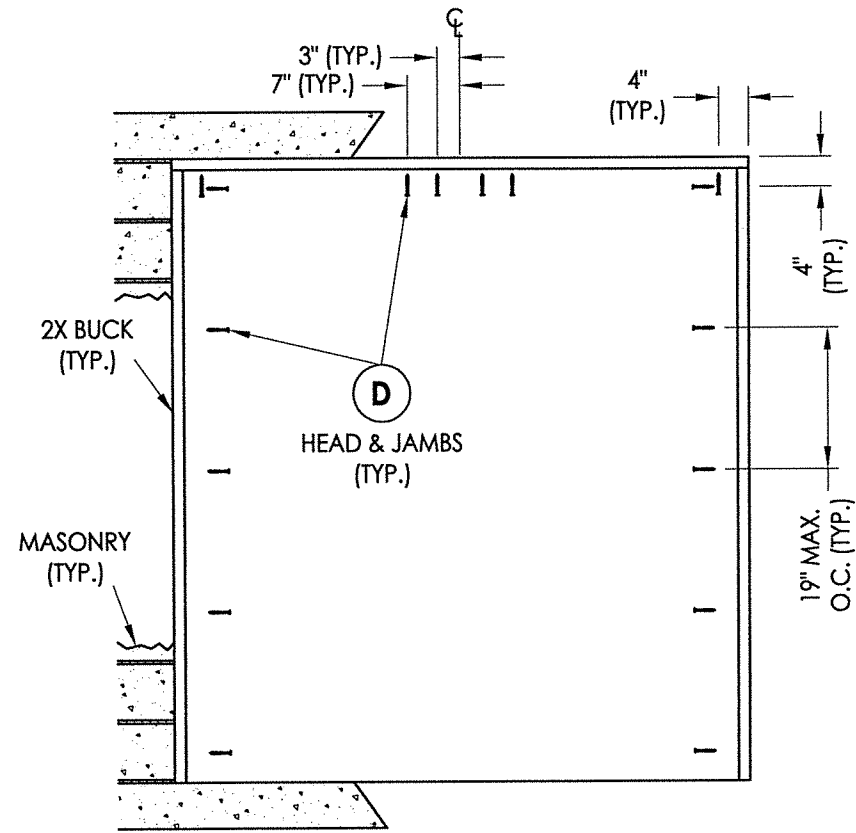
LFS
8.3.17

Documents Prepared By:
Lyndon F. Schmidt
P.E. No. 43409

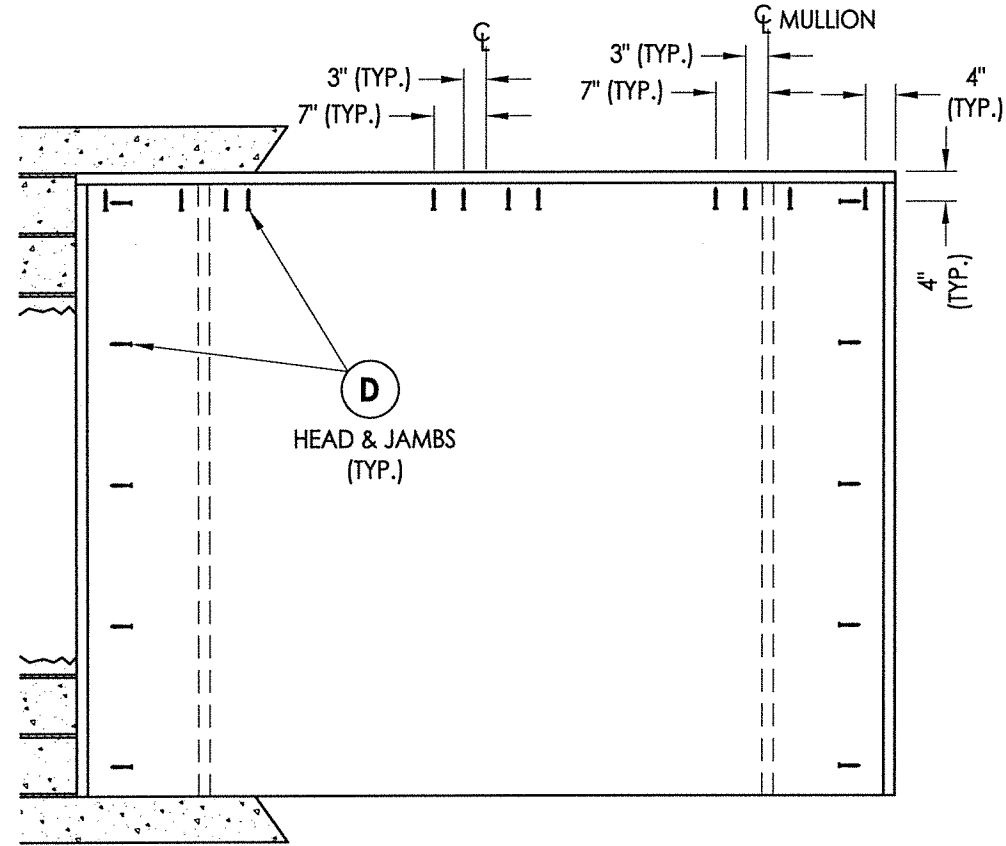
RW

BUILDING CONSULTANTS, INC.
P.O. Box 230, Valrico, FL 33595
Phone No.: 813.659.9197
FBPE C.A. No. 9813

PRODUCT:		SURE ROCK FIBERGLASS DOORS	
PART OR ASSEMBLY:		VERTICAL CROSS SECTIONS (THRESHOLDS)	
NO.	DATE	BY	
1	8/03/17	LFS	
DATE:		5/17/16	
SCALE:		N.T.S.	
DWG. BY:		JK	
CHK. BY:		LFS	
DRAWING NO.:		FL-20474.3	
SHEET		8 OF 11	



XX



OXXO

2X BUCK ANCHORING

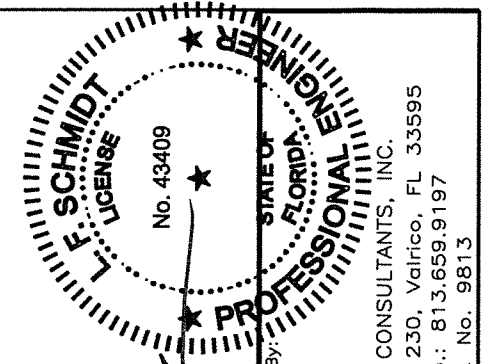
CONCRETE ANCHOR NOTES:

1. Concrete anchor locations at the corners may be adjusted to maintain the min. edge distance to mortar joints.
2. Concrete anchor locations noted as "MAX. ON CENTER" must be adjusted to maintain the min. edge distance to mortar joints, additional concrete anchors may be required to ensure the "MAX. ON CENTER" dimension are not exceeded.
3. Concrete anchor table:

ANCHOR TYPE	ANCHOR SIZE	MIN. EMBEDMENT	MIN. CLEARANCE TO MASONRY EDGE	MIN. CLEARANCE TO ADJACENT ANCHOR
ITW TAPCON®	1/4"	1-1/4"	2"	4"
ELCO ULTRACON®	1/4"	1-1/4"	1"	4"

WOOD SCREW INSTALLATION NOTES:

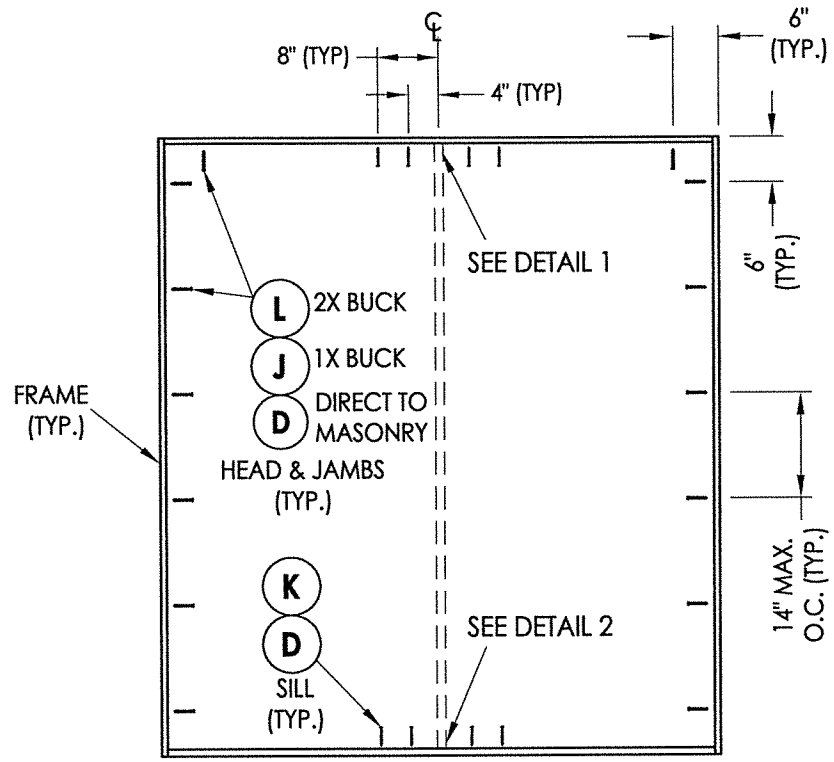
1. Maintain a minimum 5/8" edge distance, 1" end distance, & 1" o.c. spacing of wood screws to prevent the splitting of wood.



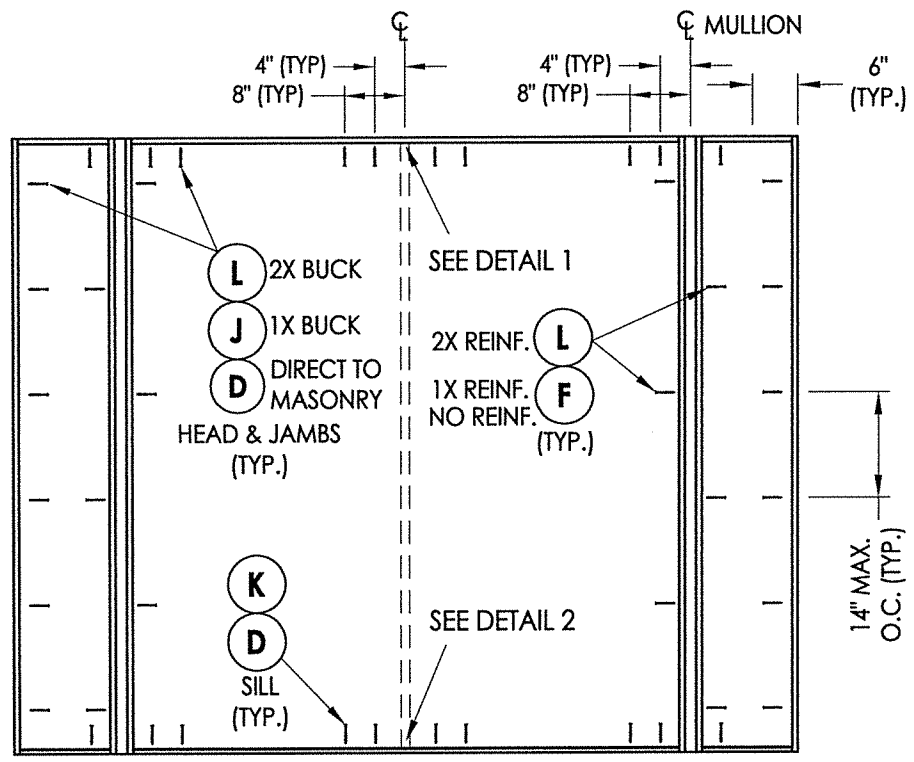
Documents Prepared By:
Lyndon F. Schmidt
P.E. No. 43409

RW
BUILDING CONSULTANTS, INC.
P.O. Box 230, Vairico, FL 33595
Phone No.: 813.659.9197
FBPE C.A. No. 9813

PRODUCT:		SURE ROCK FIBERGLASS DOORS	
PART OR ASSEMBLY:		BUCK ANCHORING	
NO.	DATE	BY	
1	8/03/17	LFS	
		UPDATE TO 6TH ED. (2017) FBC	
REVISIONS			
DATE: 5/17/16			
SCALE: N.T.S.			
DWG. BY: JK			
CHK. BY: LFS			
DRAWING NO.: FL-20474.3			
SHEET 9 OF 11			

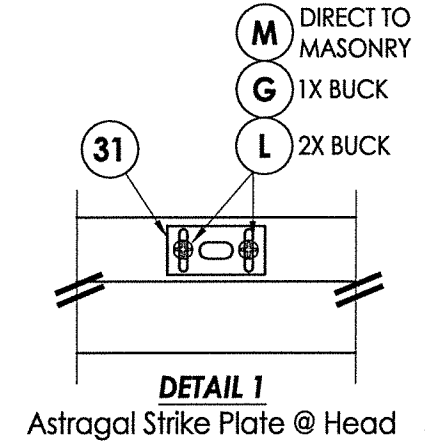


XX

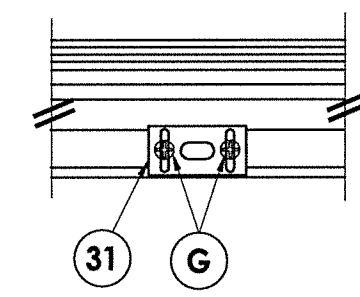


OXXO

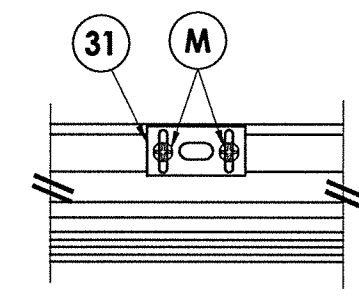
FRAME ANCHORING



DETAIL 1
Astragal Strike Plate @ Head



DETAIL 2
Astragal Strike Plate @ Sill Inswing

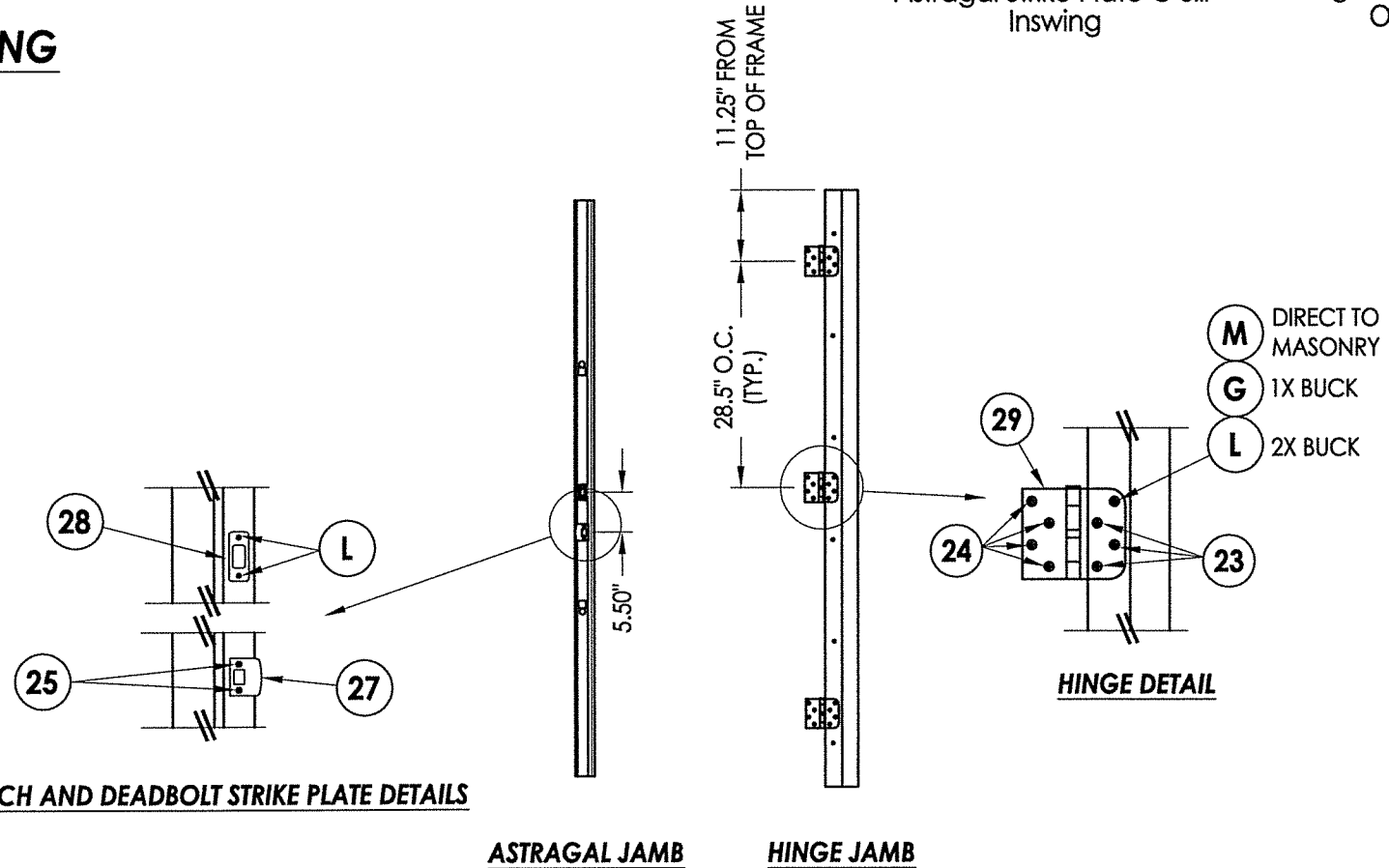


DETAIL 2
Astragal Strike Plate @ Sill Outswing

- CONCRETE ANCHOR NOTES:**
- Concrete anchor locations at the corners may be adjusted to maintain the min. edge distance to mortar joints.
 - Concrete anchor locations noted as "MAX. ON CENTER" must be adjusted to maintain the min. edge distance to mortar joints, additional concrete anchors may be required to ensure the "MAX. ON CENTER" dimension are not exceeded.
 - Concrete anchor table:

ANCHOR TYPE	ANCHOR SIZE	MIN. EMBEDMENT	MIN. CLEARANCE TO MASONRY EDGE	MIN. CLEARANCE TO ADJACENT ANCHOR
ITW TAPCON®	1/4"	1-1/4"	2"	4"
ELCO ULTRACON®	1/4"	1-1/4"	1"	4"
ITW TAPCON®	3/16"	1-1/4"	3"	1-1/2"

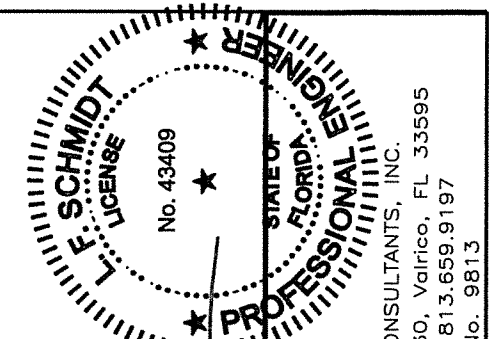
- WOOD SCREW INSTALLATION NOTES:**
- Maintain a minimum 5/8" edge distance, 1" end distance, & 1" o.c. spacing of wood screws to prevent the splitting of wood.



LATCH AND DEADBOLT STRIKE PLATE DETAILS

ASTRAGAL JAMB

HINGE JAMB



Documents Prepared By:
Lyndon F. Schmidt
P.E. No. 43409

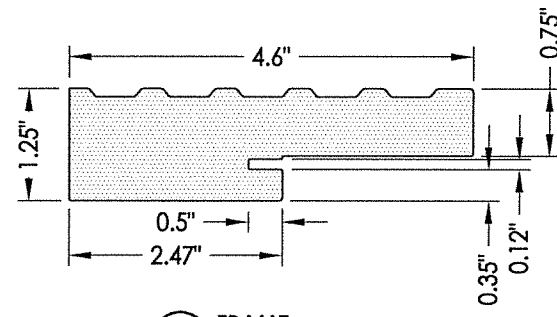
R.W. BUILDING CONSULTANTS, INC.
P.O. Box 230, Vairico, FL 33595
Phone No.: 813.659.9197
FBPE C.A. No. 9813

PRODUCT: SURE ROCK FIBERGLASS DOORS
PART OR ASSEMBLY: FRAME ANCHORING

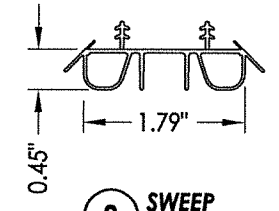
NO.	DATE	REVISIONS
1	8/03/17	UPDATE TO 6TH ED. (2017) FBC
		LFS BY

DATE: 5/17/16
SCALE: N.T.S.
DWG. BY: JK
CHK. BY: LFS
DRAWING NO.: FL-20474.3
SHEET 10 OF 11

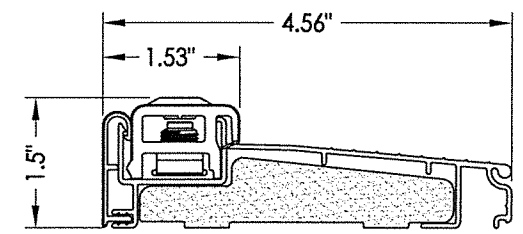
BILL OF MATERIALS		
ITEM #	DESCRIPTION	MATERIAL
A	1X BUCK (SG >= 0.42)	WOOD
B	2X BUCK (SG >= 0.42)	WOOD
C	1/4" MAX. SHIM SPACE	-
D	1/4" X 2-3/4" PFH ELCO OR ITW CONCRETE SCREW	STEEL
E	MASONRY - 3,000 PSI MIN. CONCRETE CONFORMING TO ACI 301 OR HOLLOW BLOCK CONFORMING TO ASTM C90	CONCRETE
F	#10 X 2" PFH WOOD SCREW	STEEL
G	3/16" X 3-1/4" PFH ITW CONCRETE SCREW	STEEL
J	1/4" X 3-3/4" PFH ELCO OR ITW CONCRETE SCREW	STEEL
K	1/4" X 2-1/4" PFH ELCO OR ITW CONCRETE SCREW	STEEL
L	#10 X 2-1/2" PFH WOOD SCREW (1.15" MIN. EMBEDMENT)	STEEL
M	3/16" X 2-1/4" PFH ITW CONCRETE SCREW	STEEL
X	1X OR 2X REINFORCEMENT (SG >= 0.55)	WOOD
1	FRAME (SURE JAMB)	COMP
6	WEATHERSTRIP (Q-LON)	FOAM
8	SWEEP	VINYL
13	INSWING THRESHOLD	ALUM/COMP
14	OUTSWING THRESHOLD	ALUM/COMP
18	INSWING SIDELITE SPACER	PVC
19	OUTSWING SIDELITE SPACER	PVC
23	#10 x 3/4" PFH WOOD SCREW	STEEL
24	#10 x 1" PFH WOOD SCREW	STEEL
25	#8 x 2-1/2" PFH WOOD SCREW	STEEL
27	LATCH STRIKE PLATE	STEEL
28	DEADBOLT STRIKE PLATE	STEEL
29	4" X 4" HINGE	STEEL
30	ENDURA ULTIMATE HURRICANE ASTRAGAL	ALUM
31	ASTRAGAL SHOOTBOLT STRIKE PLATE	STEEL
40	DOOR PANEL	-



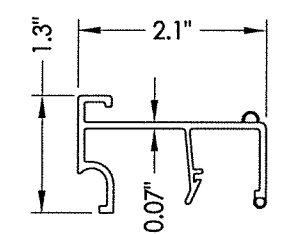
1 FRAME SURE JAMB



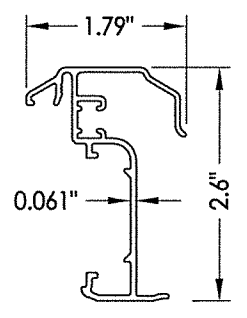
8 SWEEP



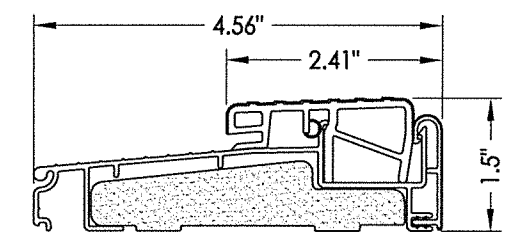
13 INSWING THRESHOLD ENDURA (Z-SERIES)



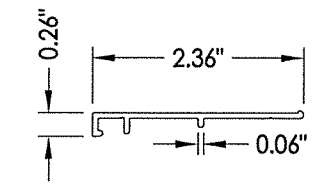
18 INSWING SIDELITE SPACER



30 ULTIMATE HURRICANE ASTRAGAL ENDURA



14 OUTSWING THRESHOLD ENDURA (Z-SERIES)



19 OUTSWING SIDELITE SPACER

Documents Prepared By: *LFS*
 Lyndon F. Schmidt
 P.E. No. 43409

BUILDING CONSULTANTS, INC.
 P.O. Box 230, Valrico, FL 33595
 Phone No.: 813.659.9197
 FBPE C.A. No. 9813

PRODUCT:	SURE ROCK FIBERGLASS DOORS	
PART OR ASSEMBLY:	BILL OF MATERIALS & COMPONENTS	
NO.	DATE	BY
1	8/03/17	LFS
UPDATE TO 6TH ED. (2017) FBC		
REVISIONS		
DATE:	5/17/16	
SCALE:	N.T.S.	
DWG. BY:	JK	
CHK. BY:	LFS	
DRAWING NO.:	FL-20474.3	
SHEET	11 OF 11	